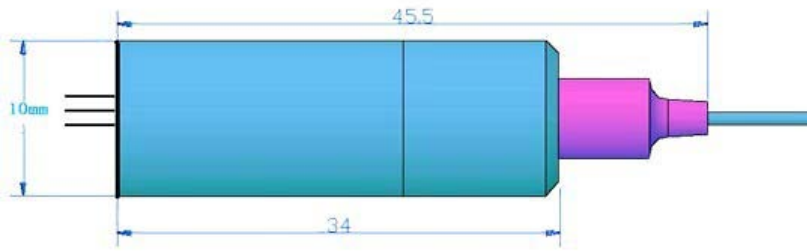


450nm MM 1W~1.2W Coaxial Pigtailed LD| TEC Cooling Optional| Blue Laser Diode
445nm~450nm Fiber coupled Laser Diode|40um 50um 60um 105um MM Fiber| PD Optional
WSLP-445-001-M Wavespectrum laser inc. www.wavespectrum-laser.com

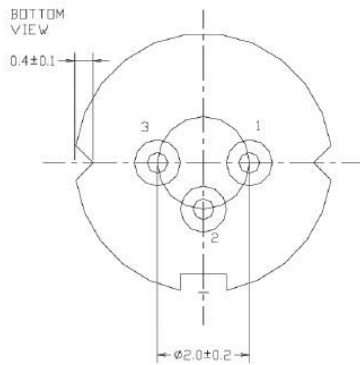
445nm Pigtailed Diode Laser		1.2W/MM Fiber		Wavespectrum Laser, Inc	
PARAMETER	SYMBOL	VALUE		UNIT	
Reverse Voltage	V_r	5.0		V	
Operating Temperature	T_{op}	0 ~ +70		°C	
Storage Temperature	T_{stg}	-40 ~ +85		°C	
Lead soldering temperature (10 sec.)	T_{is}	260		°C	
Features: <ul style="list-style-type: none"> 445nm UV MM Fiber Photodiodes Optional TEC Cooling Optional 					
Applications: <ul style="list-style-type: none"> Medical laser treatment Printing Others 					
Specifications		WSLP-445-001-M			
		Min	Type	Max	
Center Wavelength@25°C		440nm	445nm	460nm	
Spectral Width (FWHM)		----	3.0nm	----	
Output Power		1W	1.2W	----	
Fiber Type	UV MM Fiber				
Fiber Core	60um (50um ,105um, 200um,400um,800um Optional)				
Recommended Operating Temperature	25°C				
Fiber Connector	FC/ST/SMA905				
Fiber Length		----	80cm	100cm	
Threshold Current (Typ.)		----	250mA	500mA	
Operating Current (Typ.)		----	1.4A	1.6A	
Operating Voltage		----	5.5V	6.5V	
Package Style	Coaxial				
Built-in Photodiode	Optional				
Built-in TE Cooling	Optional				



Coaxial Package View



PIN Bottom View:



1	LD(+)
2	GND
3	LD(-)

Electrically shorten LD module and store in non-extreme conditions.

Suggest using the constant current power supply.

